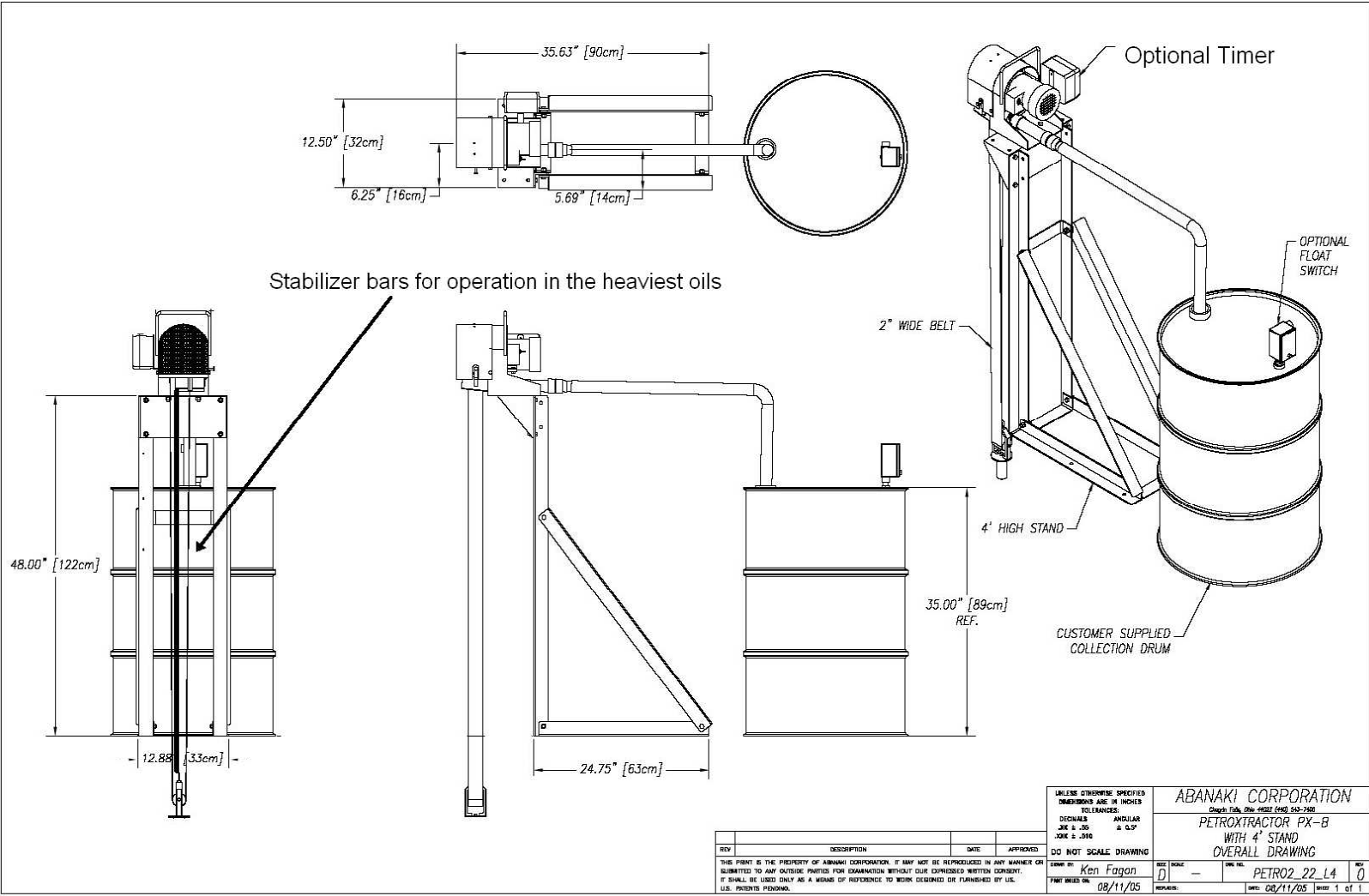


# DNAPL Skimmer



REV	DESCRIPTION	DATE	APPROVED

THIS PRINT IS THE PROPERTY OF ABANAKI CORPORATION. IT MAY NOT BE REPRODUCED IN ANY MANNER OR SUBMITTED TO ANY OUTSIDE PARTIES FOR EXAMINATION WITHOUT OUR EXPRESSED WRITTEN CONSENT. IT SHALL BE USED ONLY AS A MEANS OF REFERENCE TO WORK DESIGNED OR FURNISHED BY U.S. PATENTS PENDING.

UNLESS OTHERWISE SPECIFIED DIMENSIONS ARE IN INCHES		ABANAKI CORPORATION Dougherty, Ohio 44022 (440) 543-7300	
TOLERANCES:		PETROTRACTOR PX-B	
DECIMALS	ANGULAR	WITH 4' STAND	
.001 ± .001	± 0.5°	OVERALL DRAWING	
.005 ± .005	± 0.5°	DO NOT SCALE DRAWING	
.010 ± .010	± 0.5°		
DRAWN BY: Ken Fagan		REV: 0	REV. NO.: PETRO2_22_L4
DATE: 08/11/05			

Sheet 1 of 1