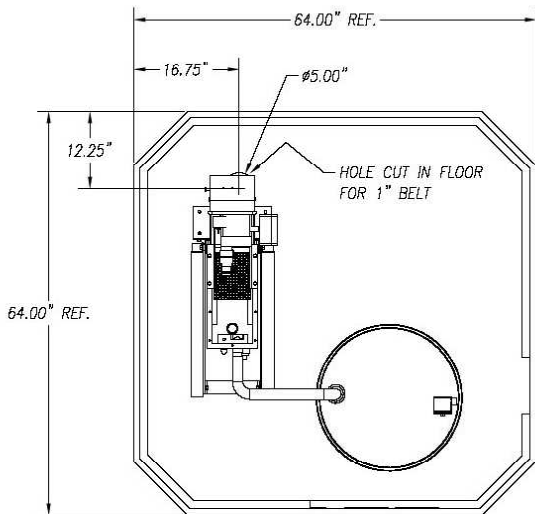
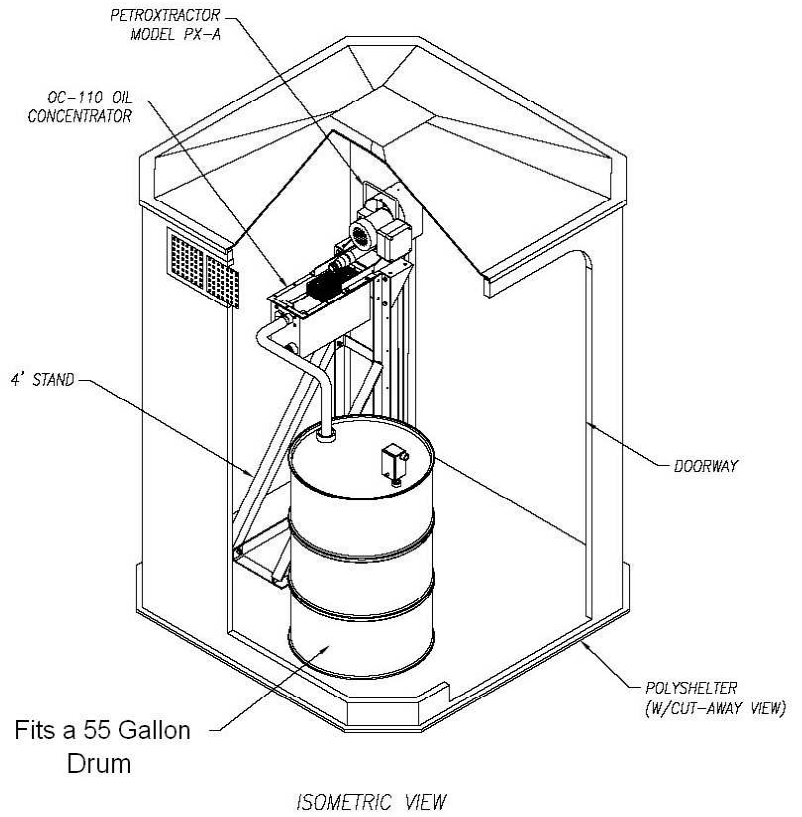


Large Enclosure



Reinforced frame for Added Stability



REV	DESCRIPTION	DATE	APPROVED

THIS PRINT IS THE PROPERTY OF ABANAKI CORPORATION. IT MAY NOT BE REPRODUCED IN ANY MANNER OR SUBMITTED TO ANY OUTSIDE PARTIES FOR EXAMINATION WITHOUT OUR EXPRESSED WRITTEN CONSENT. IT SHALL BE USED ONLY AS A MEANS OF REFERENCE TO WORK DESIGNED OR FURNISHED BY US. U.S. PATENTS PENDING.

UNLESS OTHERWISE SPECIFIED DIMENSIONS ARE IN INCHES		ABANAKI CORPORATION <small>Design File: 049 4483 (149) 545-7180</small>	
TOLERANCES:	DECIMALS	FRACTIONS	
	ANGULAR		
		± 0.5°	
		± 0.10	
DO NOT SCALE DRAWING		DATE	
DRAWN BY:	Ken Fagan	DATE:	09/21/07
CHECKED BY:		DATE:	09/21/07
		DWG NO.:	PETRO1_17_L2
		REV:	0
		SHEET 1 of 1	