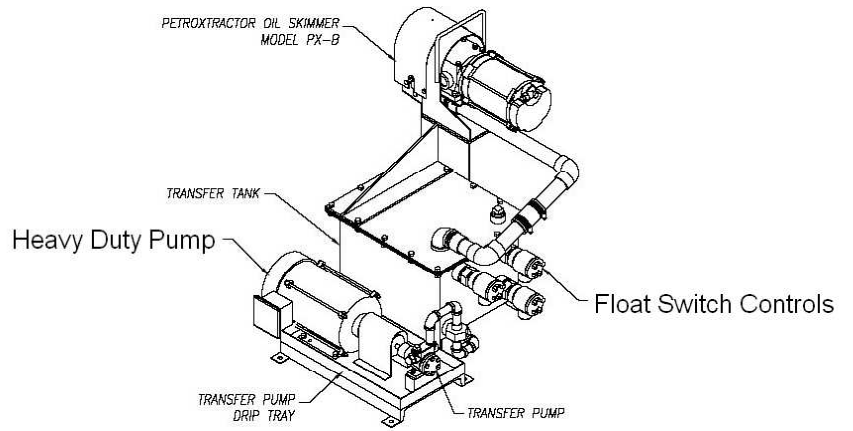
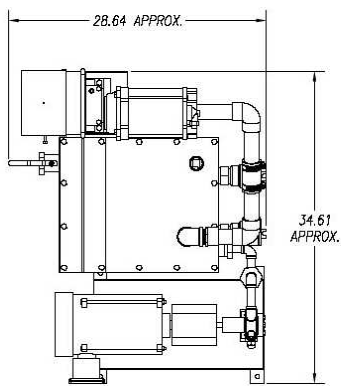
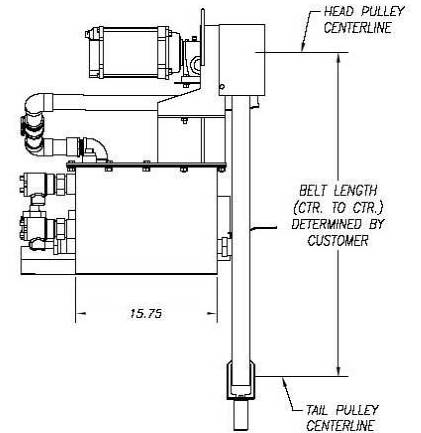
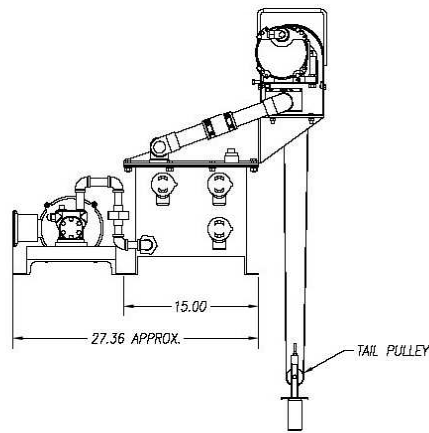
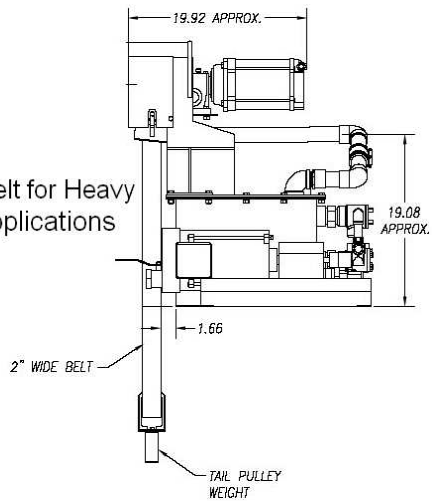


Heavy



Poly Belt for Heavy Oil Applications



REV	DESCRIPTION	DATE	APPROVED

THIS PRINT IS THE PROPERTY OF ABANAKI CORPORATION. IT MAY NOT BE REPRODUCED IN ANY MANNER OR SUBMITTED TO ANY OUTSIDE PARTIES FOR EXAMINATION WITHOUT OUR EXPRESSED WRITTEN CONSENT. IT SHALL BE USED ONLY AS A MEANS OF REFERENCE TO WORK DESIGNED OR FURNISHED BY US. U.S. PATENTS PENDING.

UNLESS OTHERWISE SPECIFIED DIMENSIONS ARE IN INCHES		ABANAKI CORPORATION	
TOLERANCES:		DRAFTING: Ken Fagan	
DECIMALS	ANGULAR	PETROTRACTOR PX-B	
.005	± 0.5°	TRANSFER PACKAGE/TRANSFER PUMP	
.010	± .010	OVERALL DRAWING	
DO NOT SCALE DRAWING		REV: 0	DATE: 08/28/02
DESIGNED BY: Ken Fagan	DATE: 08/28/02	DRAWING NO.: PETRO2_16_L1	SHEET: 1 of 1