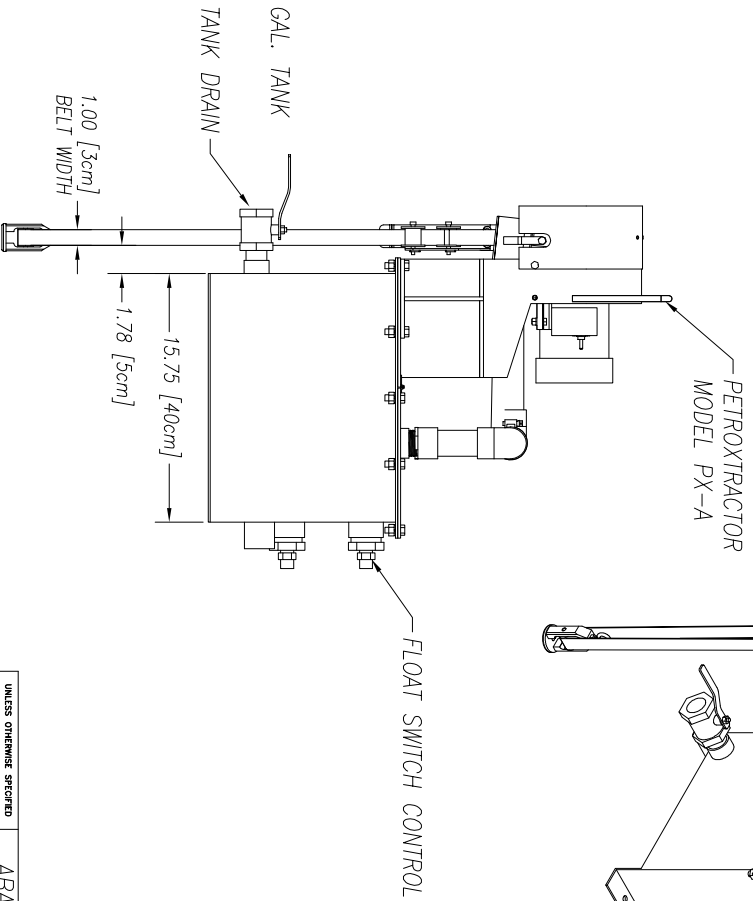
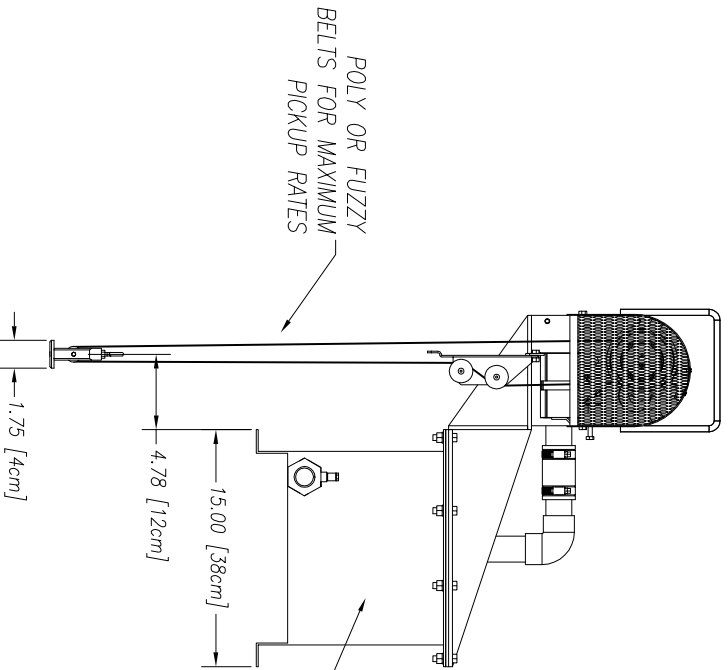
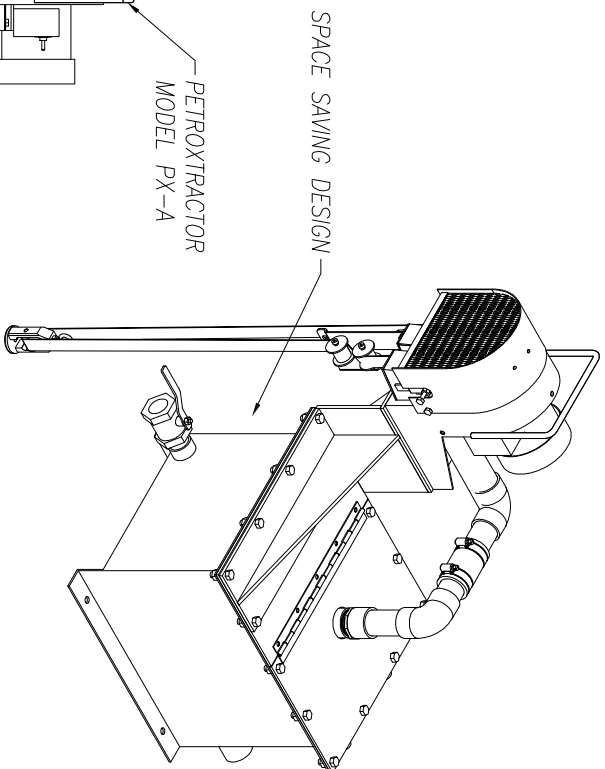
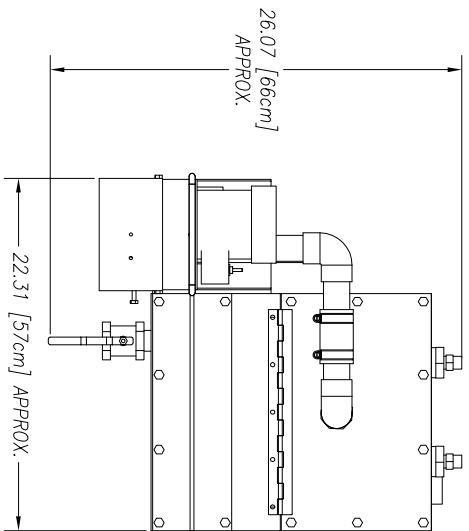


MEDIUM FUEL OILS



REV	DESCRIPTION	DATE	APPROVED

UNLESS OTHERWISE SPECIFIED  
DIMENSIONS ARE IN INCHES  
DECIMALS ± .05  
FRACTIONS ± .010  
DO NOT SCALE DRAWING

DESIGNED BY: Ken Foggon  
DRAWN BY: Ken Foggon  
DATE: 02/17/06

ABANAKI CORPORATION  
OILFIELD, P.O. BOX 4002 (400) 543-7000  
PETROTRACTOR PX-A  
TRANSFER PACKAGE/NO PUMP  
OVERALL DRAWING  
PETRO1\_12  
SHEET 1 OF 1

THIS PRINT IS THE PROPERTY OF ABANAKI CORPORATION. IT MAY NOT BE REPRODUCED IN ANY MANNER OR SUBMITTED TO ANY OUTSIDE PARTIES FOR EXAMINATION WITHOUT OUR EXPRESSED WRITTEN CONSENT. IT SHALL BE USED ONLY AS A MEANS OF REFERENCE TO WORK DESIGNED OR FURNISHED BY US. U.S. PATENTS PENDING.