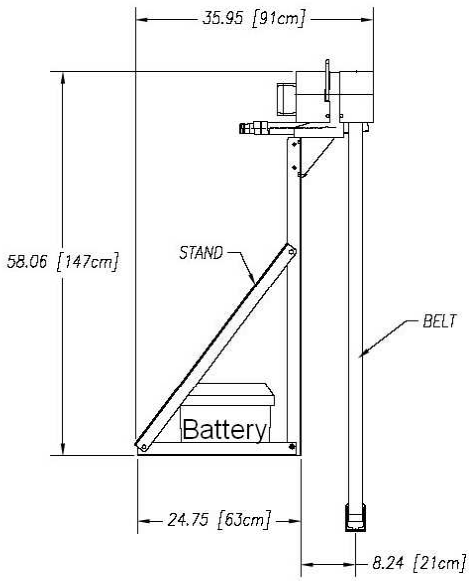


Solar Powered Skimmer

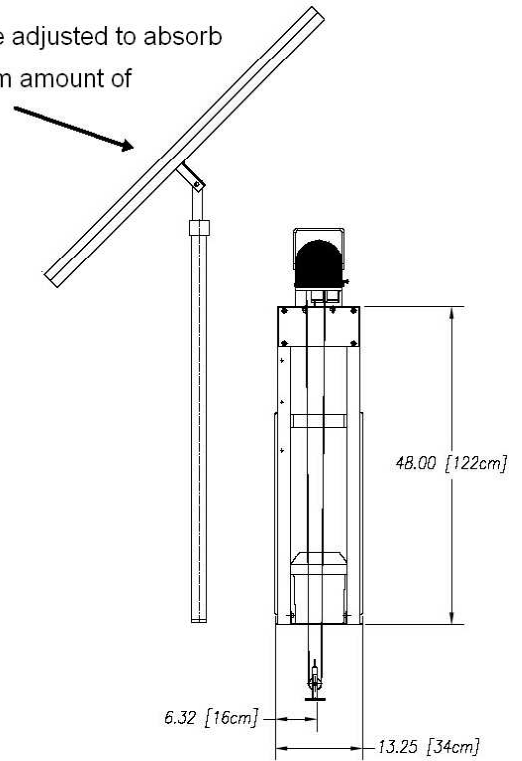
Solar panel recharges the battery

19.75 [50cm] REF.

Panel can be adjusted to absorb the maximum amount of sunlight



2" PIPE CUSTOMER SUPPLIED



REV	DESCRIPTION	DATE	APPROVED

THIS PRINT IS THE PROPERTY OF ABANAKI CORPORATION. IT MAY NOT BE REPRODUCED IN ANY MANNER OR SUBMITTED TO ANY OUTSIDE PARTIES FOR EXAMINATION WITHOUT OUR EXPRESS WRITTEN CONSENT. IT SHALL BE USED ONLY AS A MEANS OF REFERENCE TO WORK DESIGNED OR FURNISHED BY U.S. PATENTS PENDING.

UNLESS OTHERWISE SPECIFIED DIMENSIONS ARE IN INCHES

TOLERANCES:
 DECIMALS ANGULAR
 .005 ± .005 ± 0.5°
 .001 ± .001

DO NOT SCALE DRAWING

DRAWN BY: Ken Fagan
 DATE: 08/20/08

ABANAKI CORPORATION
 Design Tools, 2960 442nd (442) 542-7400
 PETROTRACTOR PX-B
 SOLAR UNIT WITH STAND
 OVERALL DRAWING

REV: 0
 SHEET: 1 of 1
 DATE: 08/20/08